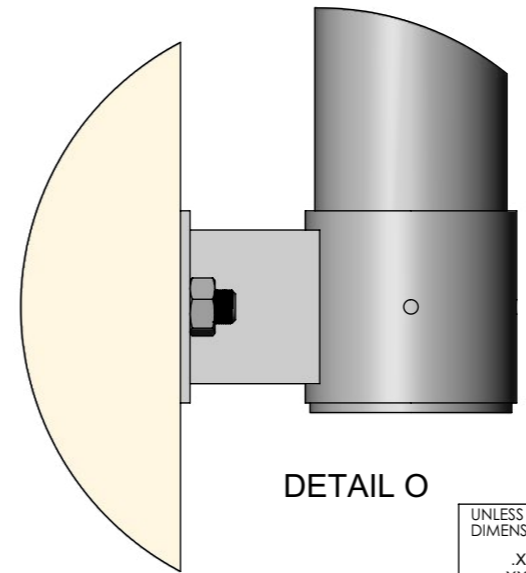


With 2nd mode damperwith 92703-001QS and 92703-002QS wall brackets. Bottom bracket has weep hole.Brackets should be placed at least (10%) apart (2' for 20' pole).



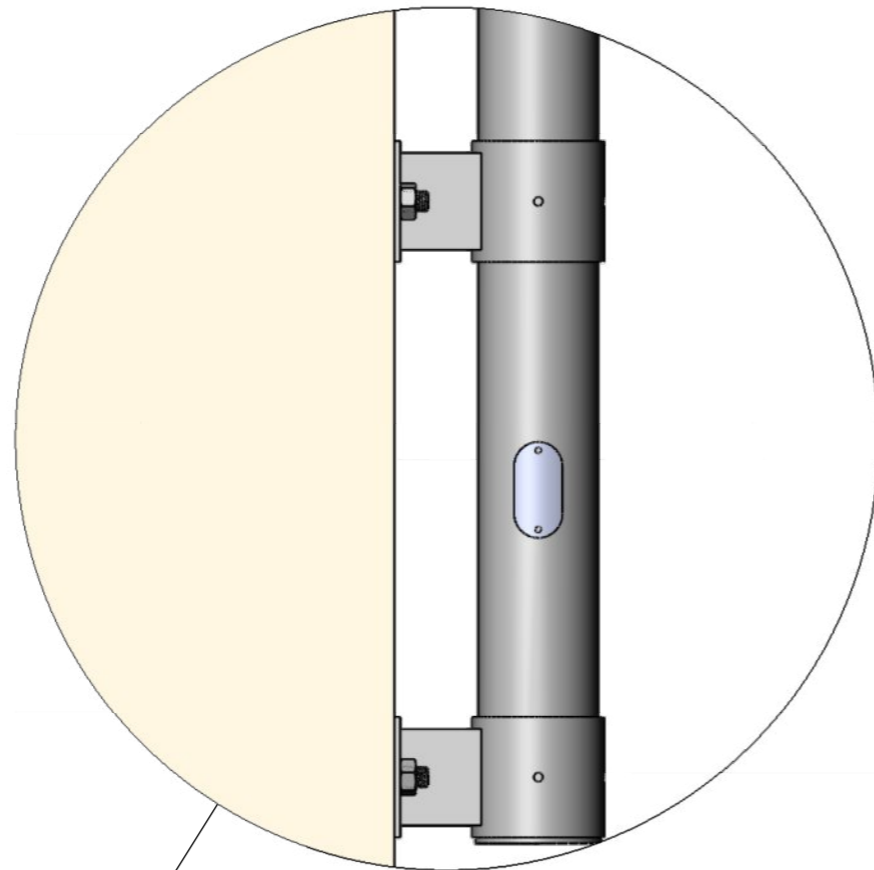
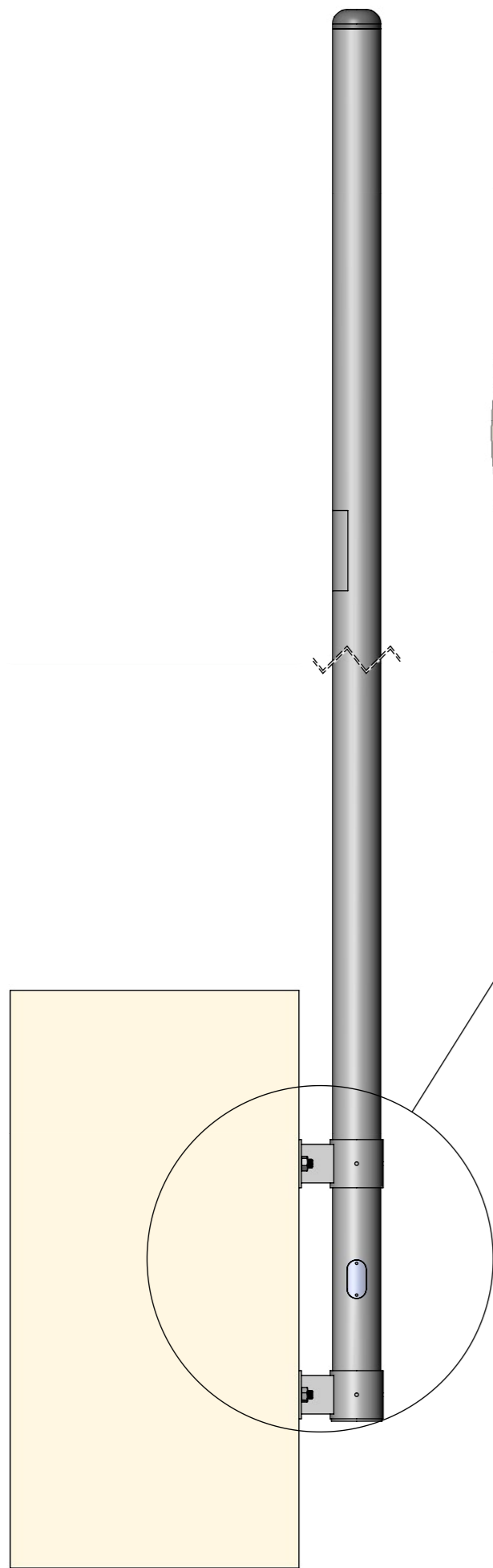
DETAIL O

UNLESS OTHERWISE SPECIFIED DIMENSION ARE IN INCHES:

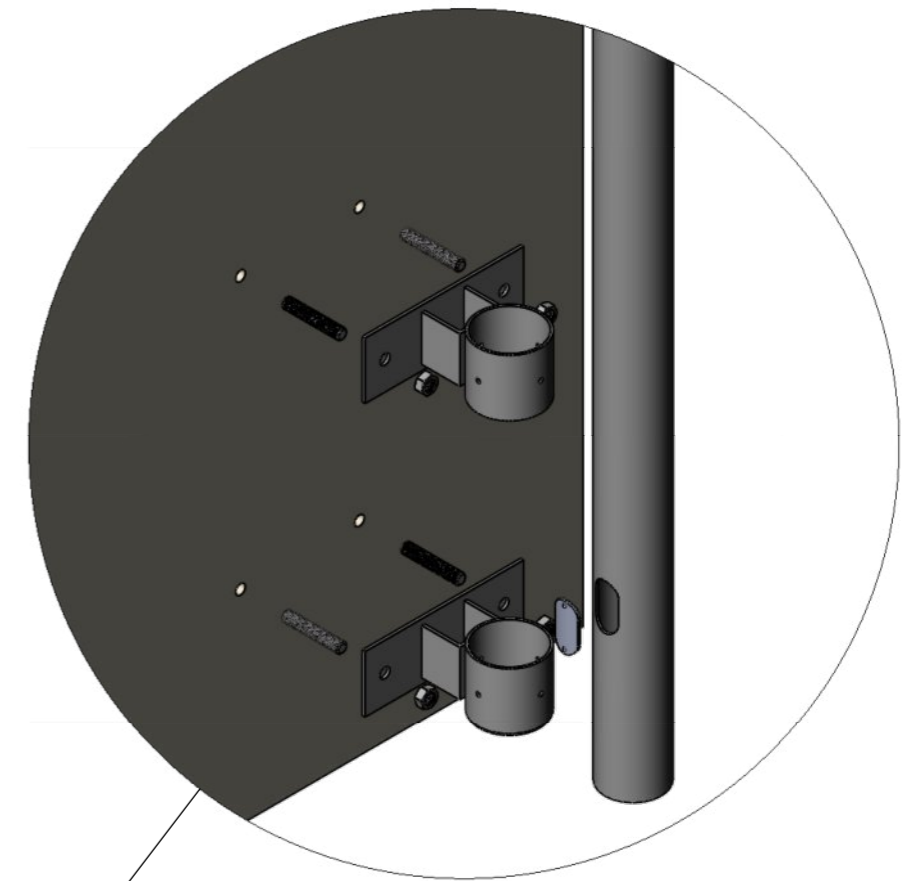
.X - ±0.3	63 UNLESS OTHERWISE NOTED
.XX - ±0.1	
.XXX - ±0.05	
ANGLES ± 1.0°	
ALL DIMENSION & TOLERANCES APPLIES AFTER THE PLATING PROCESS. DEBURR & BREAK SHARP EDGES .005 R MAX. PER ASME Y14.5 M-1994	
INTERPRET GEOMETRIC TOLERANCING PER:	
MATERIAL	
FINISH	
https://www.fiverr.com/fastdrawing	

	NAME	DATE
DRAWN	V.STOEV	9/12/2017
CHECKED		
ENG APPR.		
MFG APPR.		
Q.A.		
COMMENTS:		

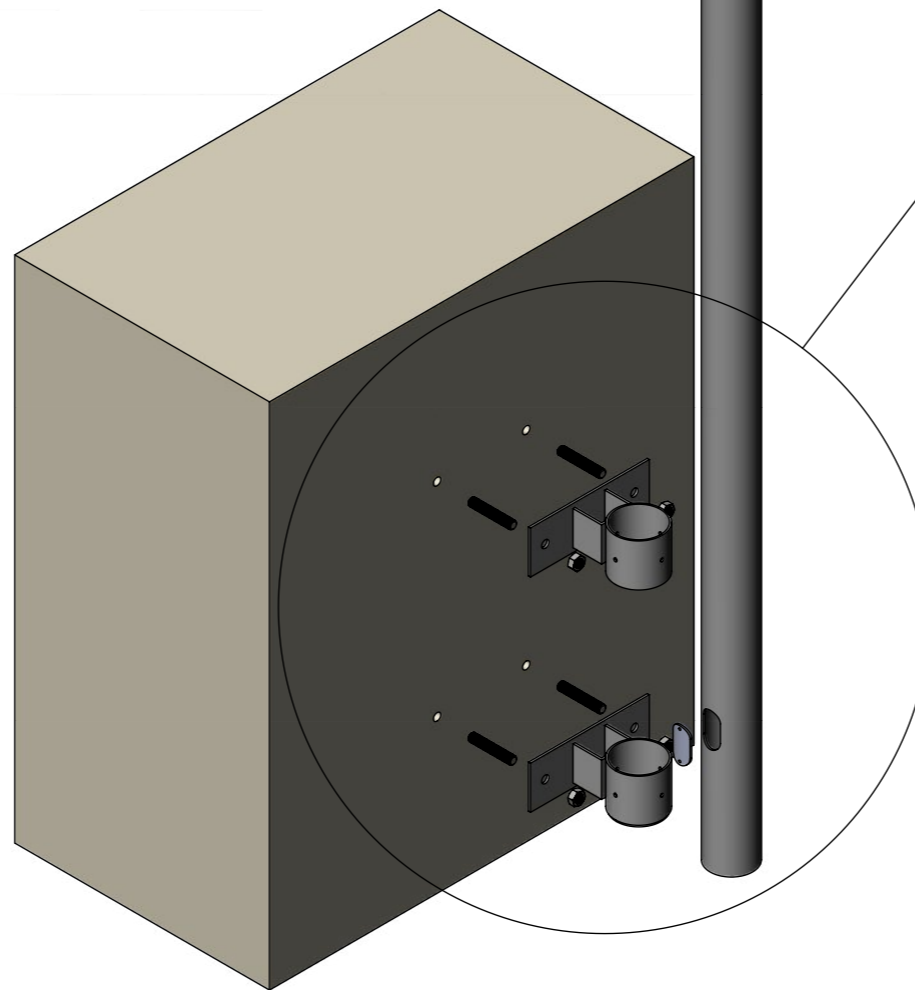
TITLE: WMCP-XX5R		
Wall-Mount Camera Pole		
SIZE D	DWG. NO.	REV A
SCALE: 1:20	WEIGHT:	SHEET 1 OF 1



DETAIL R



DETAIL Q



UNLESS OTHERWISE SPECIFIED
DIMENSION ARE IN INCHES:

.X - ±0.3
.XX - ±0.1
.XXX - ±0.05
ANGLES ± 1.0°

UNLESS OTHERWISE NOTED
63

ALL DIMENSION & TOLERANCES APPLIES
AFTER THE PLATING PROCESS.
DEBURR & BREAK SHARP EDGES .005 R MAX.
PER ASME Y14.5 M-1994

INTERPRET GEOMETRIC
TOLERANCING PER:

MATERIAL

<https://www.fiverr.com/fastdrawing>

	NAME	DATE
DRAWN	V.STOEV	9/12/2017
CHECKED		
ENG APPR.		
MFG APPR.		
Q.A.		
COMMENTS:		

TITLE: WMCP-XX5R Wall-Mount Camera Pole		
SIZE D	DWG. NO.	REV A
SCALE: 1:20	WEIGHT:	SHEET 1 OF 1